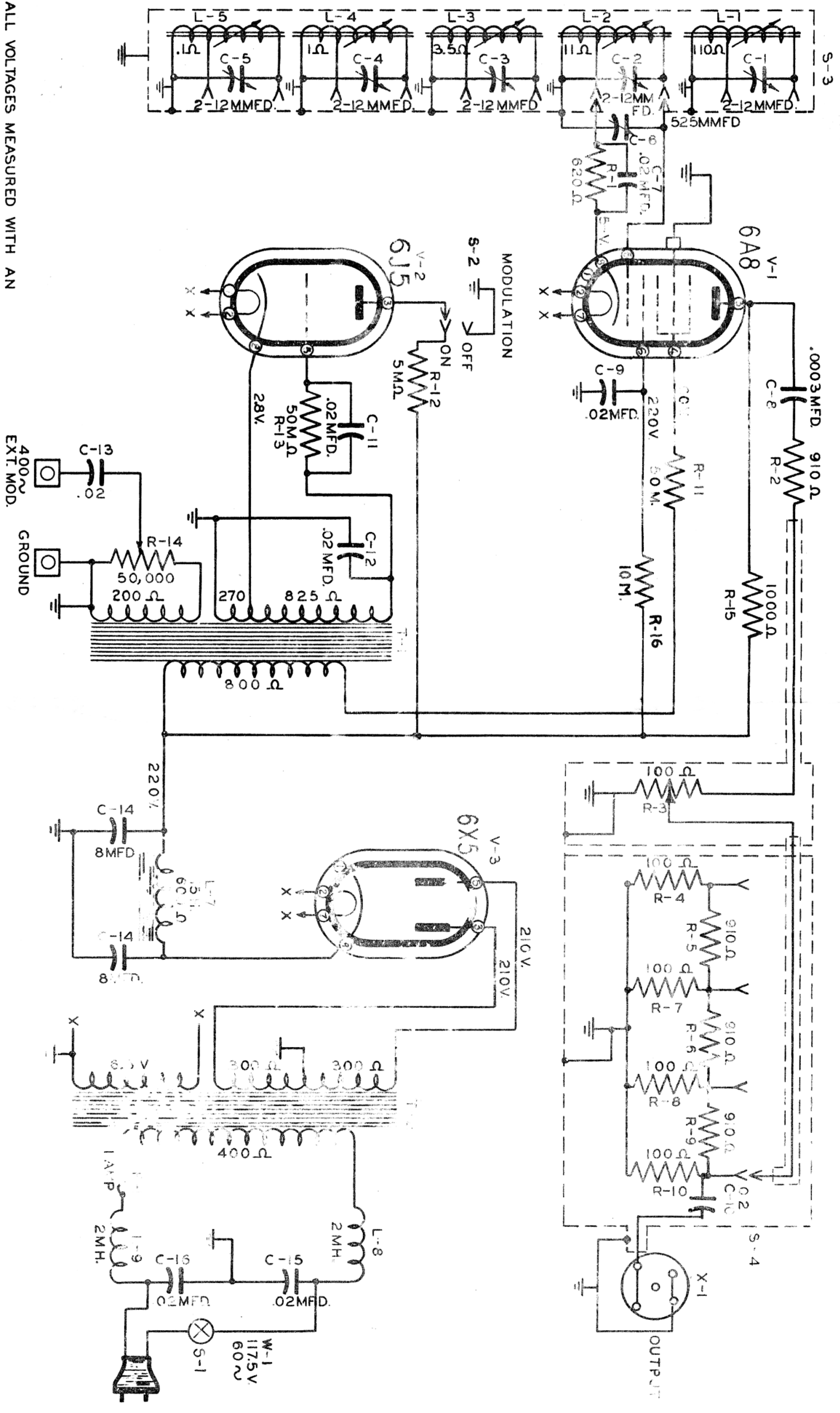


ALL VOLTAGES MEASURED WITH AN ELECTRONIC VOLTMETER.



SCHEMATIC WIRING DIAGRAM SUPREME MODEL 661 SIGNAL GENERATOR



Publication Digitized and Provided By

**[www.StevenJohnson.com](http://www.StevenJohnson.com)**

Vintage Schematics, and Publications

**Steve's Antique Technology**