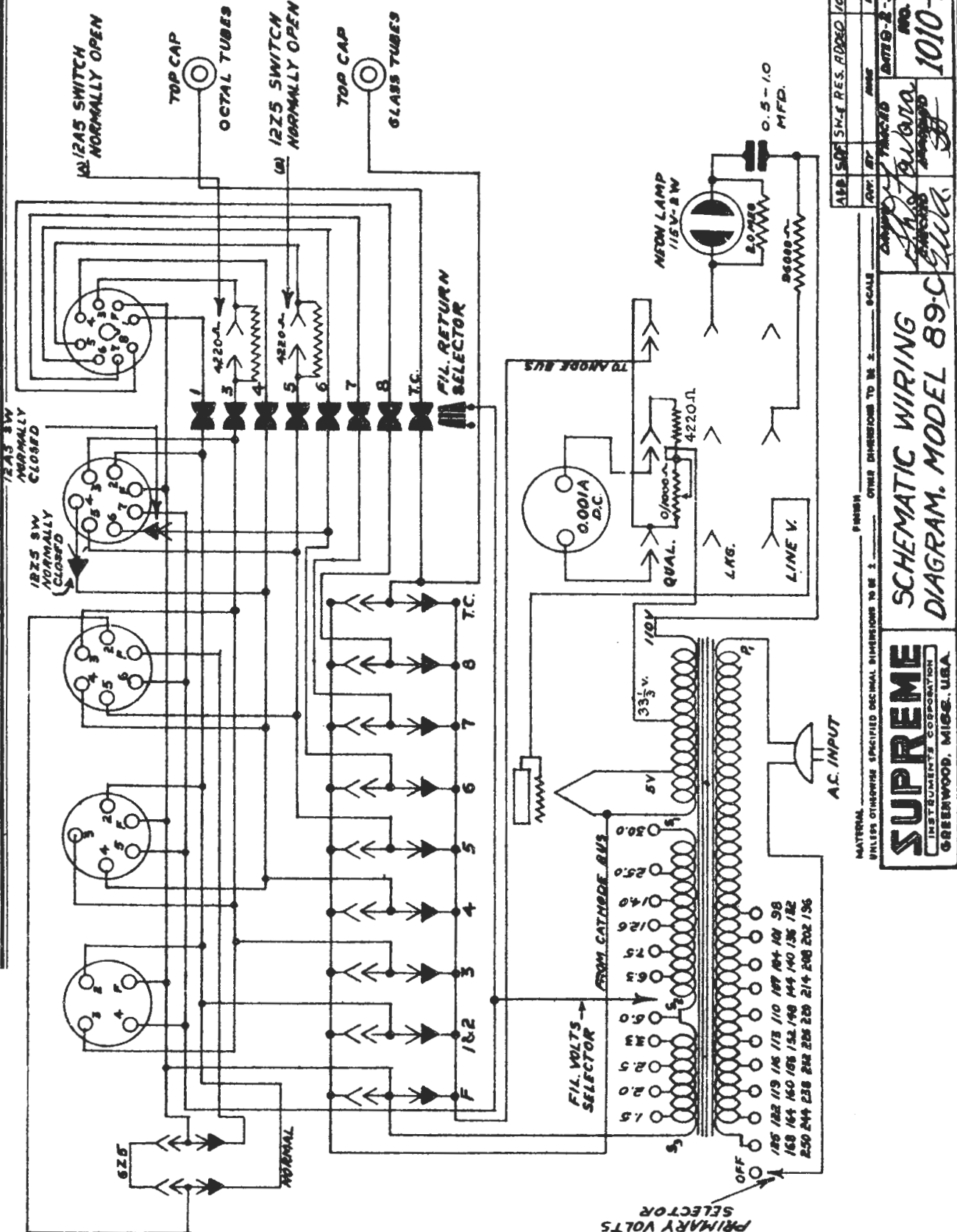


SUPREME INSTRUMENTS CORP Schematic



APP. SER. NO.	SM-E RES. ADDED	10-9-59
REV.	BY	DATE
		2-17-60
NO. 1010-B		

SCHEMATIC WIRING DIAGRAM. MODEL 89-C

OTHER DIMENSIONS TO BE 2 SCALE

MATERIAL UNLESS OTHERWISE SPECIFIED DECIMAL DIMENSIONS TO BE 2

FINISH

SUPREME
INSTRUMENTS CORPORATION
GREENWOOD, MISS., U.S.A.

NEON LAMP 115V-2W

500Ω

0.5-1.0 MFD.

2500Ω

4220Ω

0.001A D.C.

4220Ω

120V

33 1/3 V.

5V

FROM CATHODE BUS

FIL VOLTS SELECTOR

1.5 2.0 2.5 3.0 3.5 4.0 4.5 5.0 5.5 6.0 6.5 7.5 10.0 12.5 15.0 17.5 20.0 25.0

12Z5 SWITCH NORMALLY CLOSED

12Z6 SWITCH NORMALLY OPEN

TOP CAP OCTAL TUBES

TOP CAP GLASS TUBES

FIL. RETURN SELECTOR

1 2 3 4 5 6 7 8 T.C.

6Z5

NORMAL

AC INPUT

LINE V.

L.KG.

QUAL.

TO ANODE BUS



www.StevenJohnson.com

**Antique Technolgy, Tube Radios and Test Equipment
Vintage Schematics, and Publications**

Steve's Antique Technology