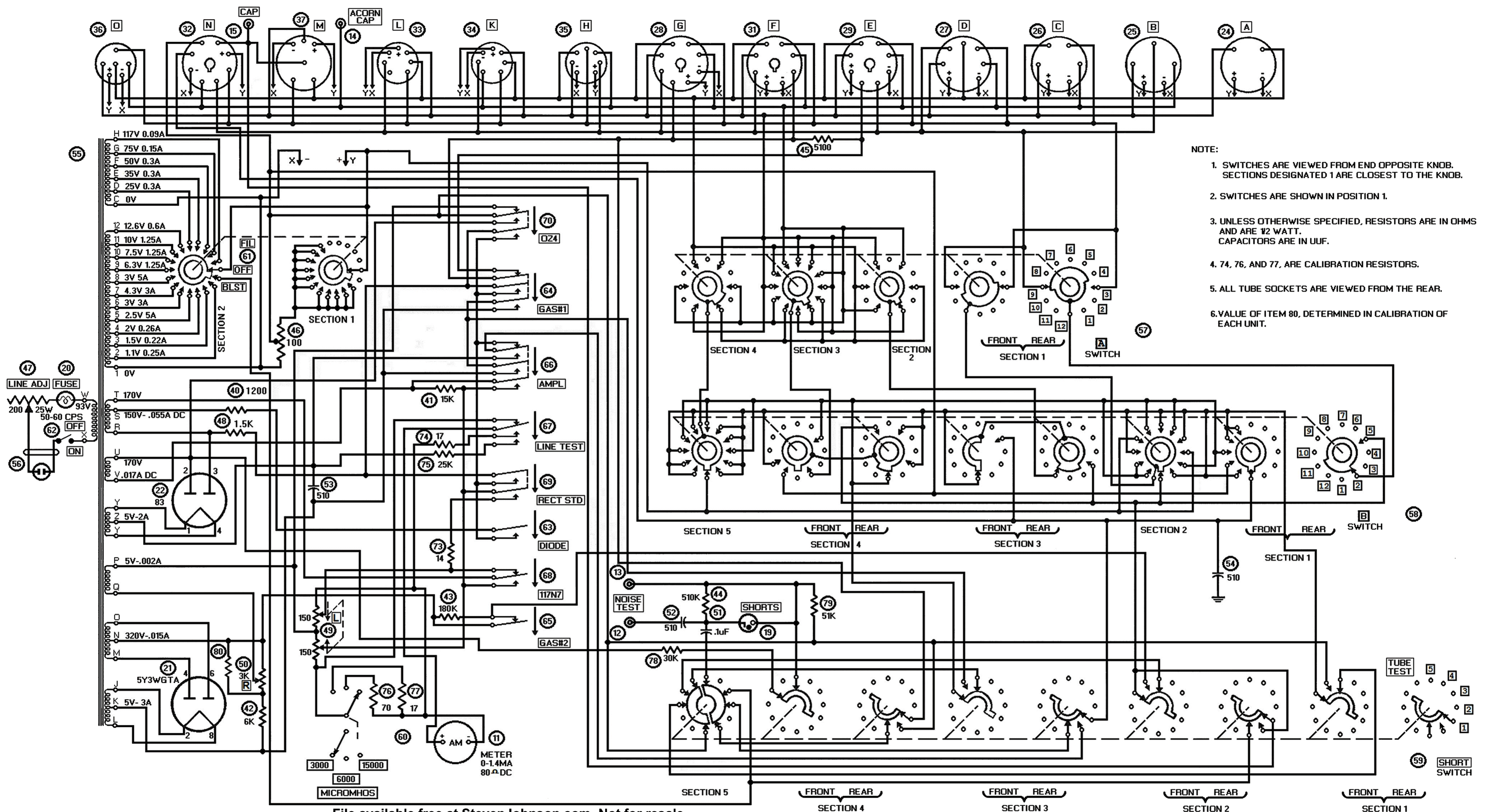


# TUBE TESTER I-177-B SCHEMATIC DIAGRAM



- NOTE:
1. SWITCHES ARE VIEWED FROM END OPPOSITE KNOB. SECTIONS DESIGNATED 1 ARE CLOSEST TO THE KNOB.
  2. SWITCHES ARE SHOWN IN POSITION 1.
  3. UNLESS OTHERWISE SPECIFIED, RESISTORS ARE IN OHMS AND ARE 1/2 WATT. CAPACITORS ARE IN UUF.
  4. 74, 76, AND 77, ARE CALIBRATION RESISTORS.
  5. ALL TUBE SOCKETS ARE VIEWED FROM THE REAR.
  6. VALUE OF ITEM 80, DETERMINED IN CALIBRATION OF EACH UNIT.

File available free at StevenJohnson.com. Not for resale.